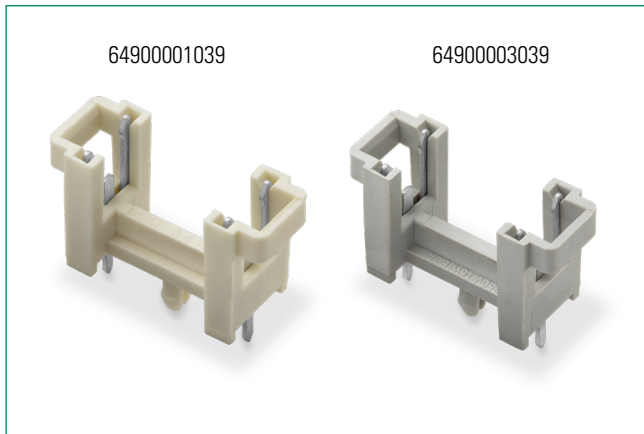


649 Series

Molded Fuse Block, PC Mount for 5×20mm Fuses



Product Specifications

Compatible Fuse Size	5 × 20 mm standard cartridge fuse	
Ordering Number	64900001039	64900003039
Materials	Holder: Tan thermoplastic PA66 UL94 V-0	Holder: Grey Thermoplastic, PA 66 UL94 V-0
	Metal Parts: Tin Plated Copper Alloy	
Electrical Data	Rated Voltage: 250V Max. Current/Power: 6.3A/1.6W	
Mounting	Solder pins 0.5 x 1.0mm and plastic stud	
Operating Temperature	-30°C to +85°C	
Stock Conditions	+10°C to +60°C relative humidity ≤ 75% yearly average, without dew, maximum value for 30 days - 95%	
Contact Resistance	≤ 5mΩ	
Isolation Resistance	10 ² MΩ	
Solderability	235°C, 2 sec. (soldering bath; IEC 60068-2-20)	
Soldering Heat Resistance	260°C, 10 sec. (soldering bath; IEC 60068-2-20)	
Minimum Cross Section	Conducting path - 0.2mm ²	
Unit Weight	1.2g	

Additional Information



Resources



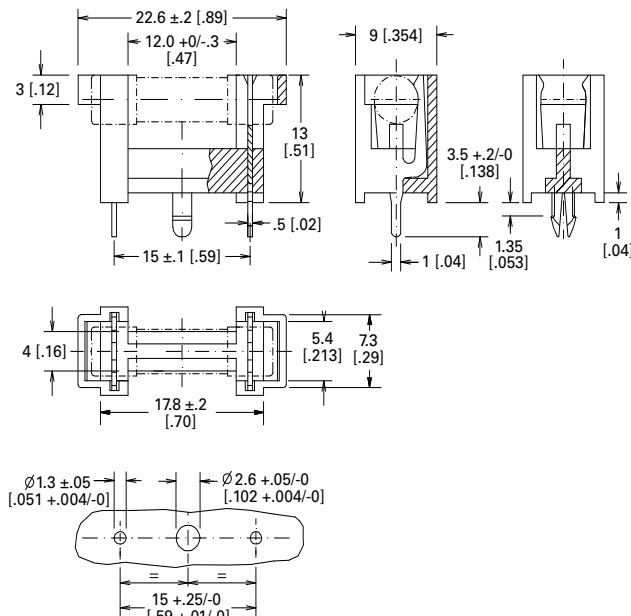
Accessories



Samples

Dimensions

Dimensions in millimeter [inch]



Dimensions of holes in the printed circuit board.
Thickness of printed circuit board: 1.6 ±.14 [.063 ±.005]

Agency Approvals

Agency	Agency File Number
	E14721
	40015067

Ordering Information

Ordering PN	Description	Packaging
64900001039	Block Holder for 5×20 big box	Bulk (3000pcs)
64900003039	Block Holder for 5×20 MM GW	Bulk (3000pcs)

Notes:

1) Ensure that proper fuse re-rating is factored in fuseholder selection.